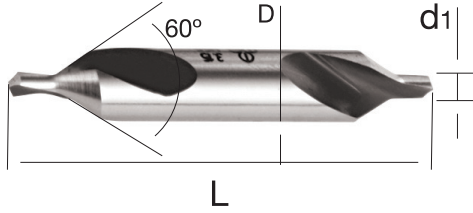


**DIN 333 A
HSS PUNTA MATKABI**



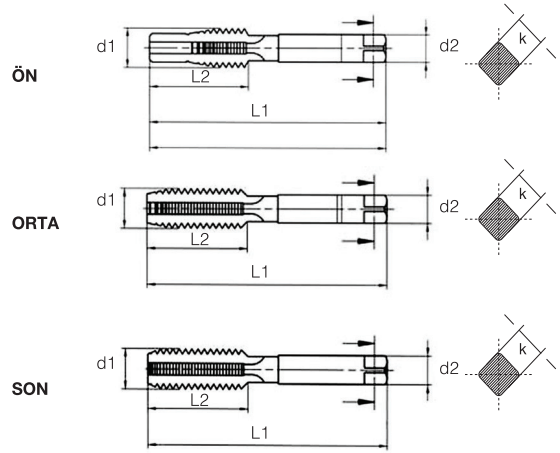
Normal Tip

d1	D	L
1.0	3.15	31.5
1.25	3.15	31.5
1.6	4.0	35.5
2.0	5.0	40.0
2.5	6.3	45.0
3.15	8.0	50.0
4.0	10.0	56.0
5.0	12.5	63.0

Uzun Tip (İthal)

d1	D	L
2.0	5.0	76
2.5	6.3	102
3.15	8.0	102
4.0	10.0	127
5.0	12.5	127
6.3	16.0	127

**DIN 352
HSS 3'LÜ TAKIM KLAUZ**



d1 mm	P adım	L1 mm	L2 mm	d2 mm	k (h12) mm
M2	0.4	40	8	2,8	2,1
M2,5	0.45	40	9	2,8	2,1
M3	0.5	40	11	3,5	2,7
M3,5	0.6	45	13	4,0	3,0
M4	0.7	45	13	4,5	3,4
M4.5	0.75	50	16	6,0	4,9
M5	0.8	50	16	6,0	4,9
M6	1	50	19	6,0	4,9
M7	1	50	19	6,0	4,9
M8	1.25	56	22	6,0	4,9
M9	1.25	63	22	7,0	5,5
M10	1.5	70	24	7,0	5,5
M11	1.5	70	24	8,0	6,2
M12	1.75	75	29	9,0	7,0
M14	2	80	30	11,0	9,0
M16	2	80	32	12,0	9,0
M18	2.5	95	40	14,0	11,0
M20	2.5	95	40	16,0	12,0
M22	2.5	100	40	18,0	14,5
M24	3	110	50	18,0	14,5
M27	3	110	50	20,0	16,0
M30	3.5	125	56	22,0	18,0
M33	3.5	125	56	25,0	20,0
M36	4	150	63	28,0	22,0
M39	4	150	63	32,0	24,0
M42	4.5	150	63	32,0	24,0
M45	4.5	160	70	36,0	29,0
M48	5	180	75	36,0	29,0